

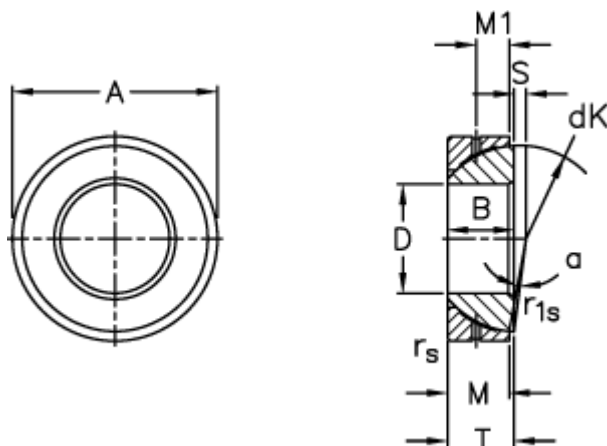
Data Sheet



Article number: 03509150

Description: Fluro Rod end GE 150SX

Measures



A	= 225 0 -0,030	S	= 20
B	= 48	Static load C0 (kN)	= 3900
D	= 150 0 -0,025	T	= 48 +0,35 -0,70
dK	= 211	Tilt angle	= 1
Dynamic load C (kN)	= 780	Weight	= 8010
M	= 46		
M1	= 20.5		
rs, r1s min	= 3		